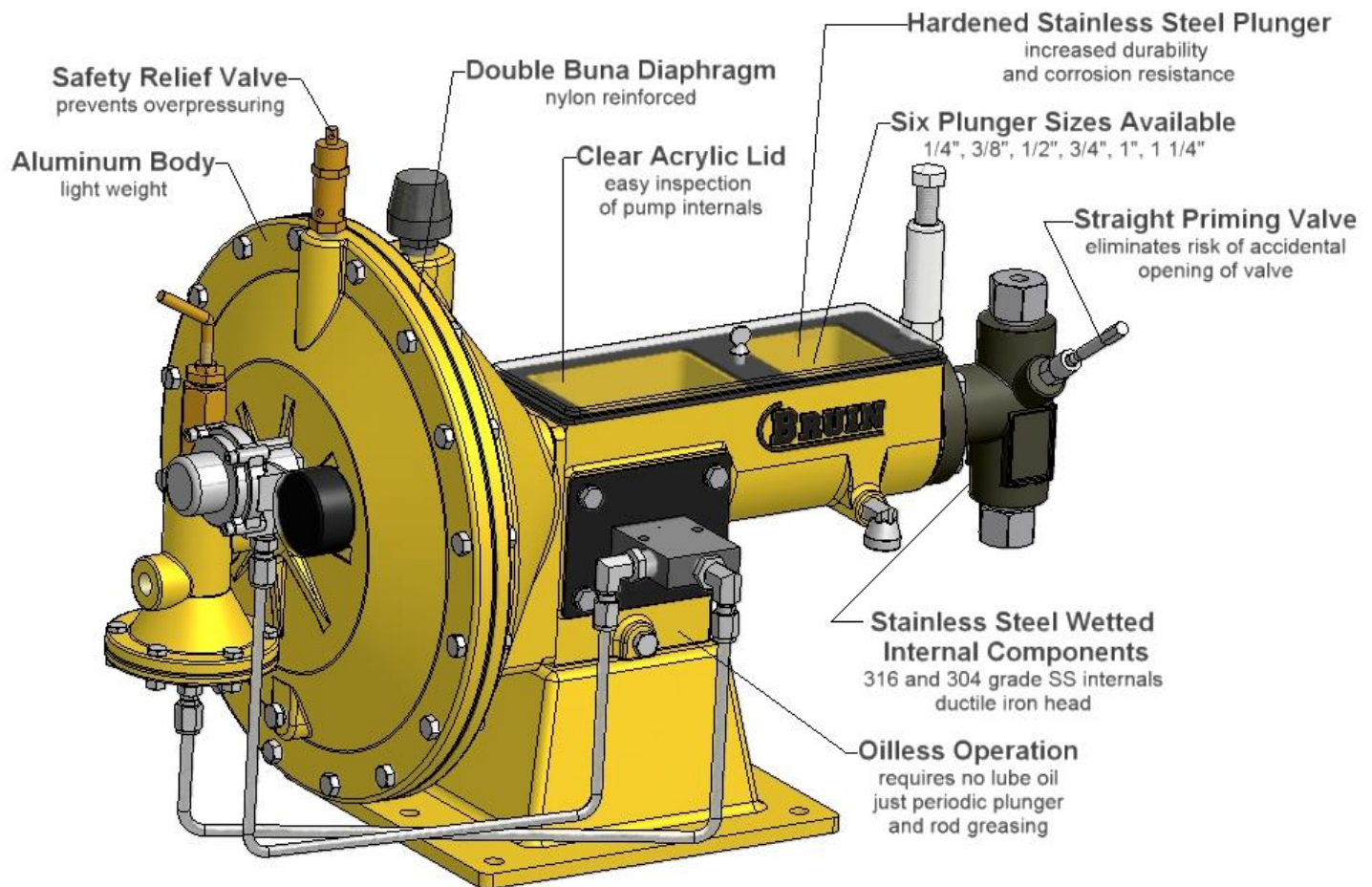




BR5000

Pneumatically Operated Chemical Injection Pump

The **Bruin BR5000 Chemical Injector Pump** is a single acting, positive displacement plunger type pump. Powered by pneumatic pressure acting against a diaphragm (50psig – maximum), equipped with a spring return, automatic switching mechanism and available in 6 plunger sizes, the pump can handle output volumes up to 472 gallons per day and discharge pressures up to 12000 psig. Volume is controlled, based on plunger size, by controlling the speed of the pump via a speed control valve and by the stroke length selection. Conversion for handling of various chemicals is easily accomplished by the change out of the packing set and fluid end seals.



9001-20 Street NW, Edmonton, Alberta, Canada T6P 1K8
Email: info@bruinipumps.com

Phone: 780-430-1777

Fax: 780-449-5233

www.bruinipumps.com